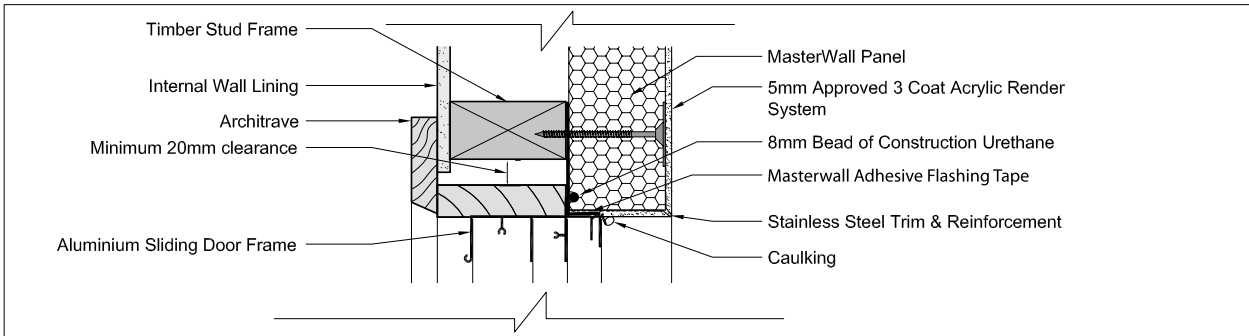
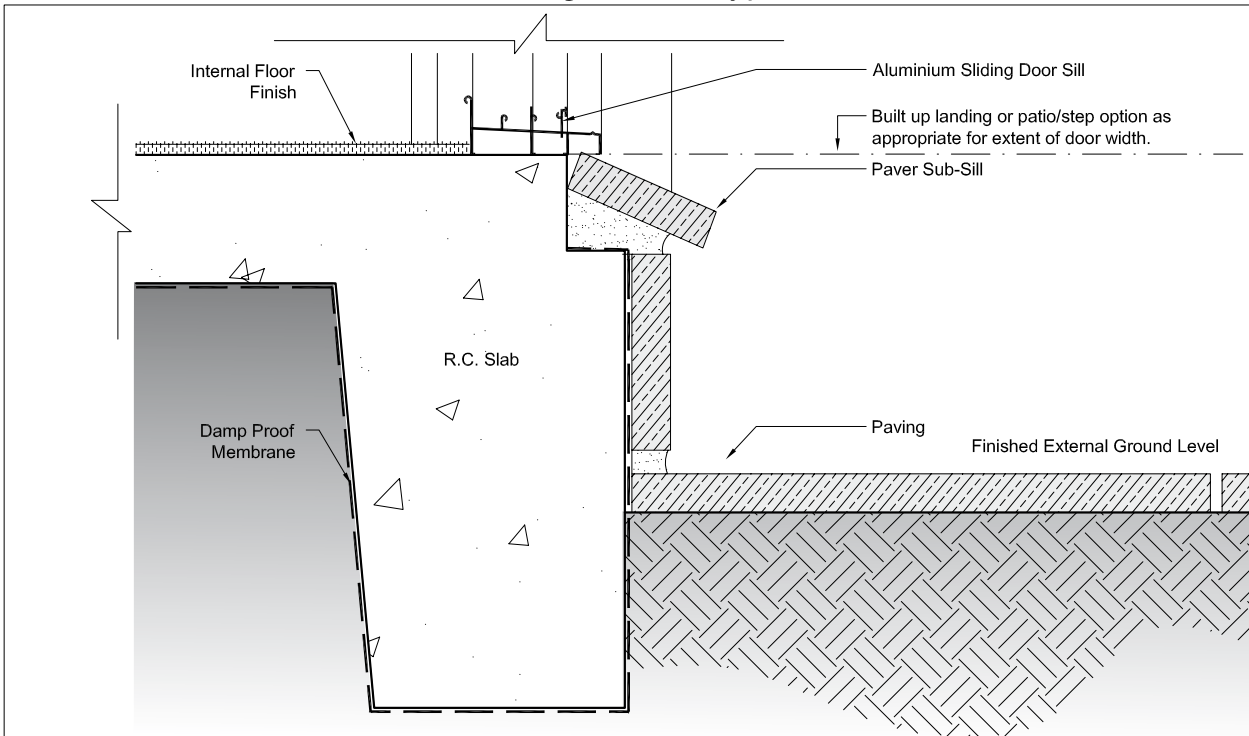


MASTERWALL
INNOVATORS OF POLYSTYRENE CLADDING

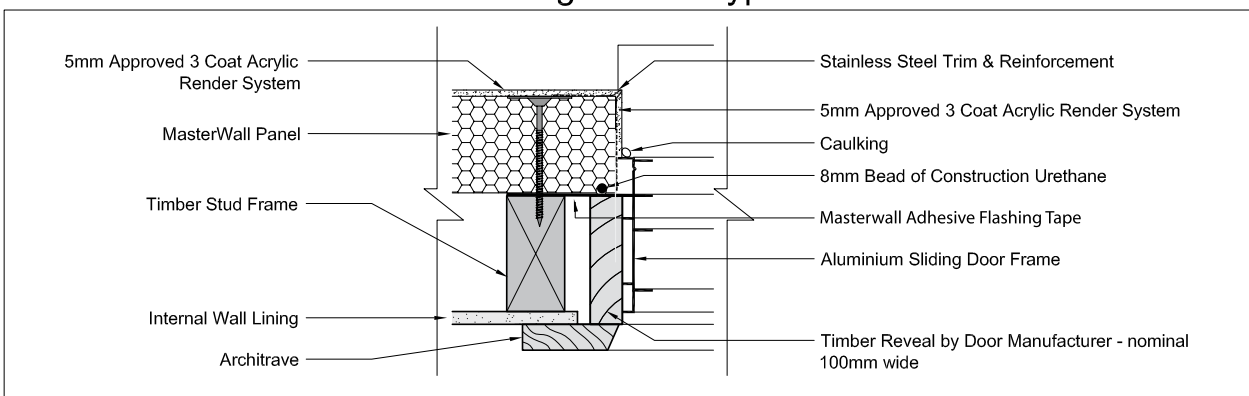
TECHNICAL DOCUMENT:
CONSTRUCTION DETAILS



MasterWall Panel Aluminium Sliding Door - Typical Head Detail



MasterWall Panel Aluminium Sliding Door - Typical Sill Detail



MasterWall Panel Aluminium Sliding Door - Typical Jamb Detail

These details are indicative for the purpose of illustrating the typical installation of MasterWall Panels. Panels are to be installed strictly in accordance with the Product Specification & Installation Manual. Construction to be in accordance with Building Regulations & Statutory Requirements.