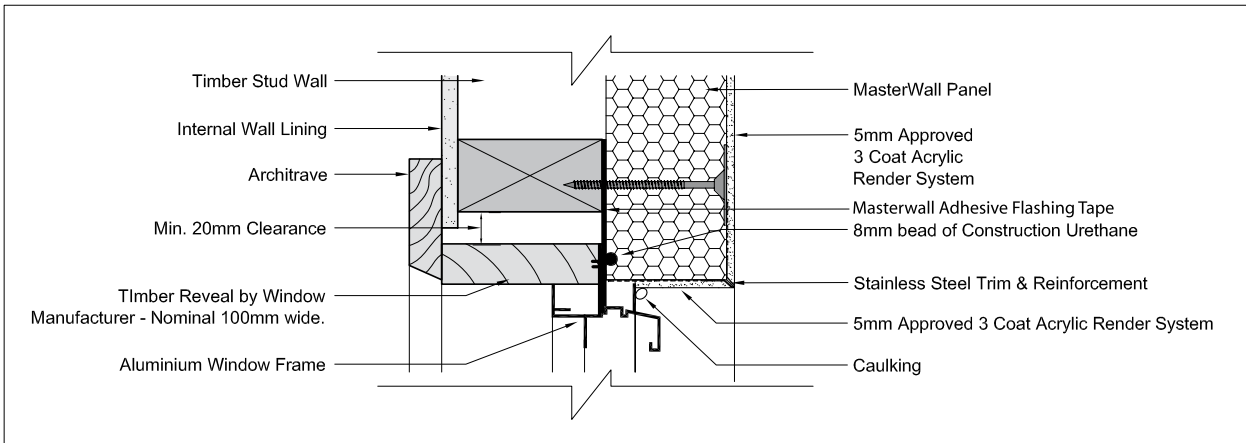
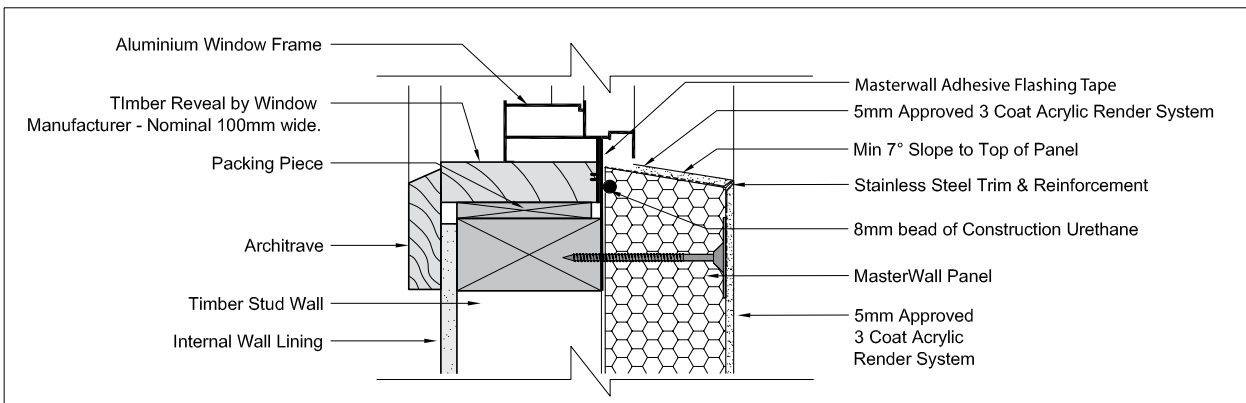


**MASTERWALL**  
INNOVATORS OF POLYSTYRENE CLADDING

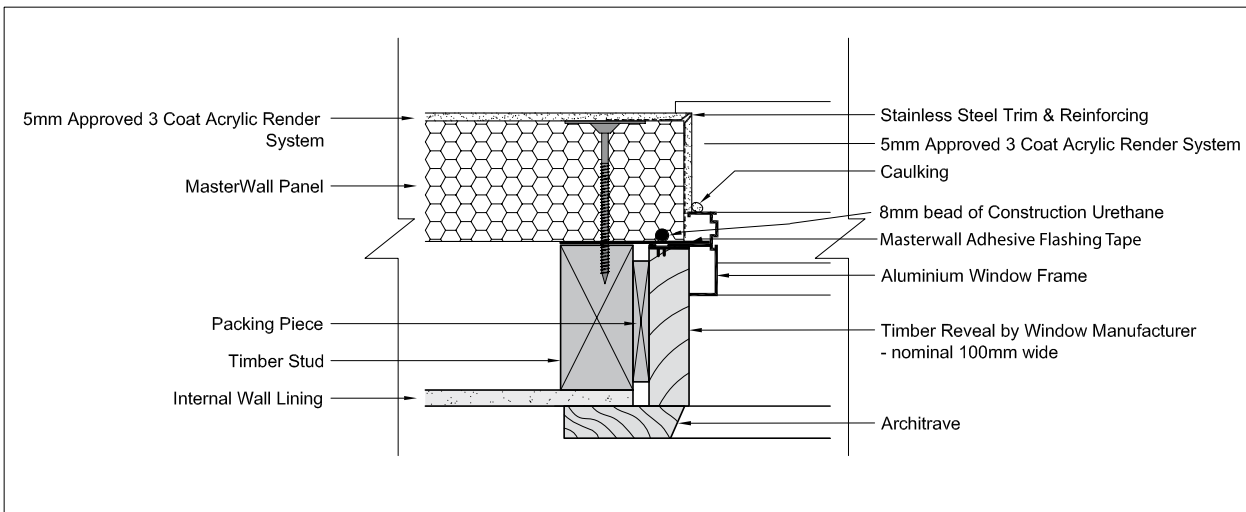
**TECHNICAL DOCUMENT:**  
**CONSTRUCTION DETAILS**



**MasterWall Panel / Aluminium Window**  
**Typical Head Detail**



**MasterWall Panel / Aluminium Window**  
**Typical Sill Detail**



**MasterWall Panel / Aluminium Window**  
**Typical Side Jamb Detail**

\* window system to be self draining.

These details are indicative for the purpose of illustrating the typical installation of MasterWall Panels. Panels are to be installed strictly in accordance with the Product Specification & Installation Manual. Construction to be in accordance with Building Regulations & Statutory Requirements.